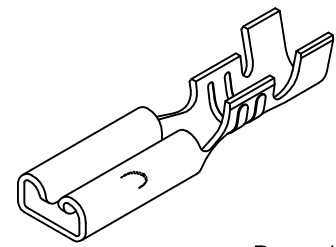
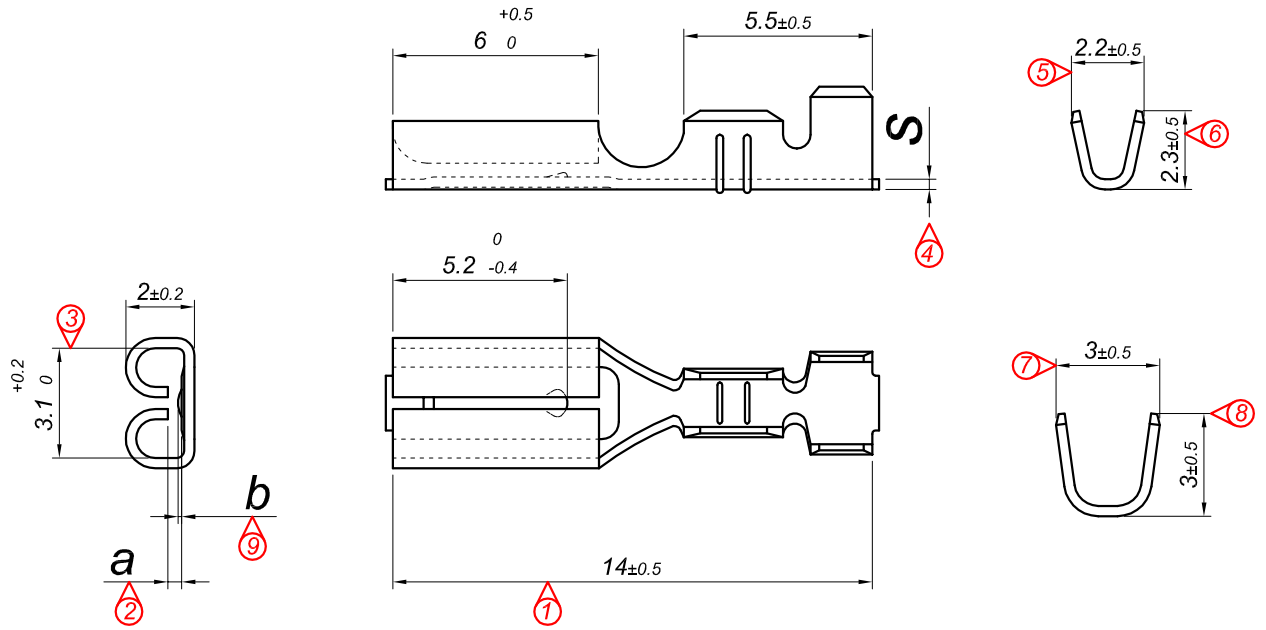
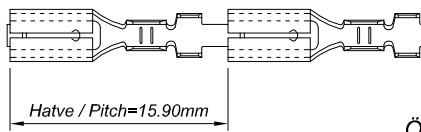


PARÇA KODU PART CODE	PARÇA ADI PART NAME	ERKEK TERMINAL MALE TERMINAL	a ÖLÇÜSÜ (AYAR) a MEASURE (SET)	b ÖLÇÜSÜ b MEASURE	S KALINLIK S THICKNESS	Malzeme Material	Kaplama Coating
MS 2145.50 RPK	MİKRO DİŞİ FİŞ K.A. 2.8 (0.50) (0.25 Malzeme) =RPK=	0.50	0.40±0.05	0.10±0.05	0.25±0.05	(CuZn30) Pirinç / Brass	Kalay / Sn (3-5µ)
TD 2145.50 RP	MİKRO DİŞİ FİŞ K.A. 2.8 (0.50) =RP=	0.50	0.40±0.05	0.10±0.05	0.3±0.05	(CuZn30) Pirinç / Brass	_____
TD 2145.50 RPK	MİKRO DİŞİ FİŞ K.A. 2.8 (0.50) =RPK=	0.50	0.40±0.05	0.10±0.05	0.3±0.05	(CuZn30) Pirinç / Brass	Kalay / Sn (3-5µ)
MS 2145.75 RPK	MİKRO DİŞİ FİŞ K.A. 2.8 (0.75) (0.25 malzeme) =RPK=	0.80	0.65±0.05	0.10 ^{+0.05} ₀	0.25±0.05	(CuZn30) Pirinç / Brass	Kalay / Sn (3-5µ)
TD 2145.80 RP	MİKRO DİŞİ FİŞ K.A. 2.8 (0.80) =RP=	0.80	0.70±0.05	0.10±0.05	0.3±0.05	(CuZn30) Pirinç / Brass	_____
TD 2145.80 RPK	MİKRO DİŞİ FİŞ K.A. 2.8 (0.80) =RPK=	0.80	0.70±0.05	0.10±0.05	0.3±0.05	(CuZn30) Pirinç / Brass	Kalay / Sn (3-5µ)
MS 2145.80 RPK	MİKRO DİŞİ FİŞ K.A. 2.8 (0.80) (0.25 malzeme) =RPK=	0.80	0.70±0.05	0.10±0.05	0.25±0.05	(CuZn30) Pirinç / Brass	Kalay / Sn (3-5µ)



Perspektif
Perspective

Kalıp çıkış yönü
Mold output direction ← → Makara açılım yönü
Reel opening direction




Ölçek
Scale : 2 / 1

Kablo Kesiti

Wire Section : 0.25 - 0.50 mm²

Resim üzerinden ölçü almayınız
do not measure on drawing

Tarih / Date	15.10.2012	İmza /Signature	Ölçek /Scale			
Çizen / Desing	M.Yağcı		5 / 1			
Onay / Approval	S.Gölcük		No		Değişiklik / Revision	Tarih/Date
	Parça Adı: Part Name	MİKRO DİŞİ FİŞ KÜÇÜK AYAK 2.8			Parça Kodu: Part Code	TD 2145